

8

7

6

5

4

3

2

1

REVISIONS

| EFFECTIVITY | REV | DESCRIPTION | DATE | APPROVED |
|-------------|-----|-----------------------------|---------|----------|
| FUTURE | A | REDRAWN TO BLUEPRINT FORMAT | 5/18/99 | |

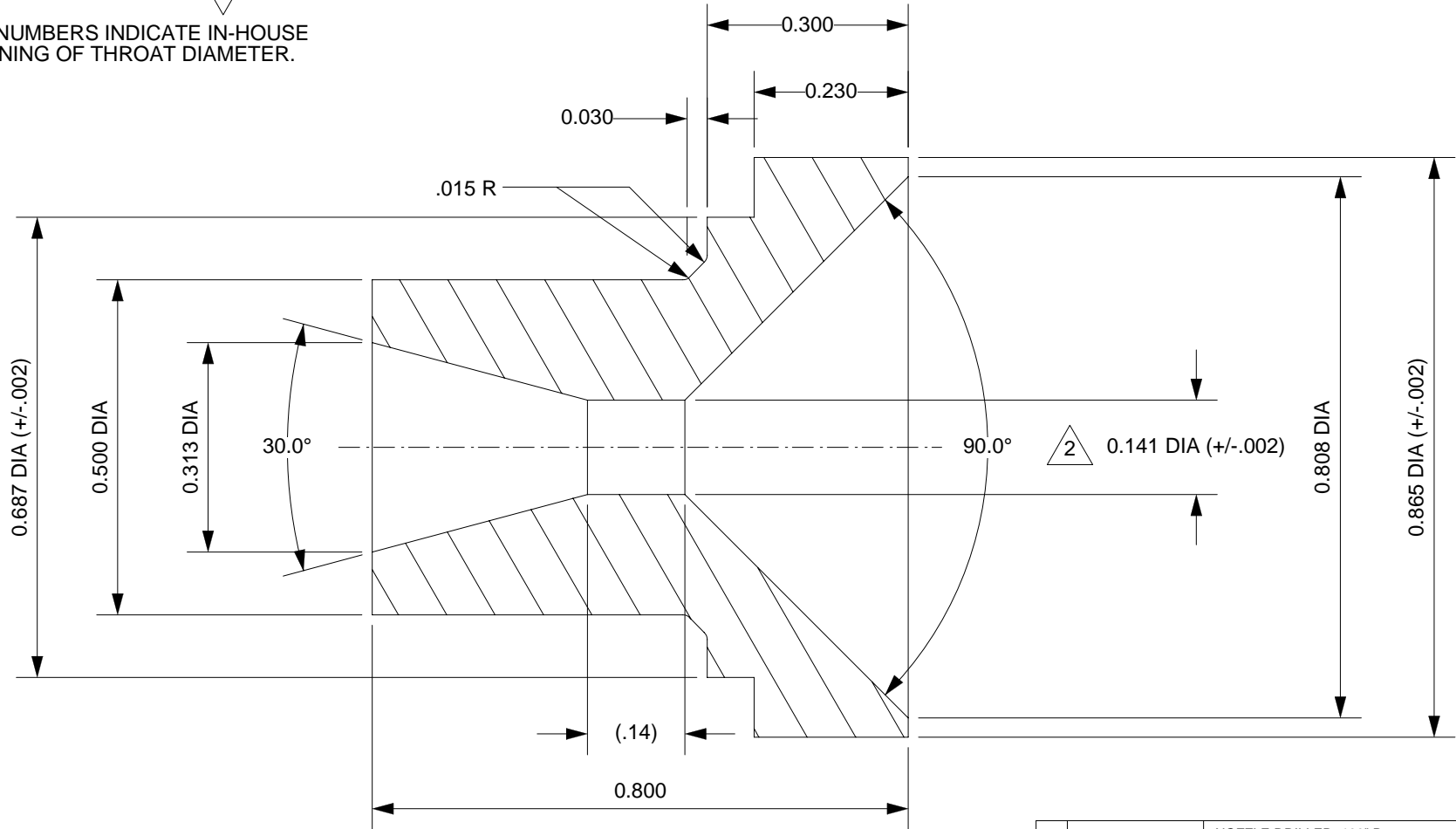
NOTES:

1. UNLESS OTHERWISE SPECIFIED:

A. BREAK EDGES .005.

B. SURFACE ROUGHNESS $\sqrt{32}$.

2. DASH NUMBERS INDICATE IN-HOUSE MACHINING OF THROAT DIAMETER.



| | | | | |
|-----------------------------------------------------|--|------------------------------------------------------------------------------------------------|-------------------------|-------------|
| UNLESS OTHERWISE SPECIFIED DIMENSIONS ARE IN INCHES | | 01350-2 | NOZZLE DRILLED .166" Dt | 2 |
| | | 01350-1 | NOZZLE DRILLED .156" Dt | 1 |
| | | QTY | PART NUMBER | DESCRIPTION |
| | | LIST OF MATERIAL | | |
| | | CONTRACT NUMBER | | |
| | | 2113 W. 850 N. Street Cedar City, Utah 84720 (435) 867-9998 (Ph) (443) 222-0203 (Fax) | | |
| MATERIAL | | PREP B. ROSENFELD 5/ 99 | | |
| BLACK PHENOLIC (PROPRIETARY) | | CHKR | | |
| FINISH | | SIZE A NUMBER 01350 | | |
| | | SCALE 4/1 SHEET 1 OF 1 | | |

8

7

6

5

4

3

2

1