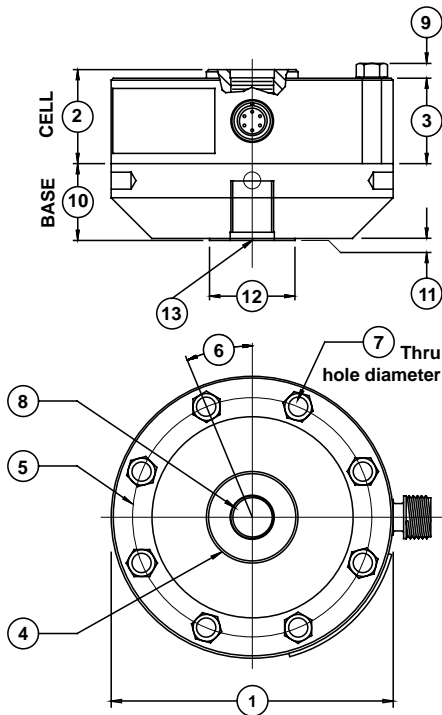


# INTERFACE

## Model 1200 Precision Series Universal (U.S. & Metric)

Why INTERFACE 1200 series load cells are the best in class:

- Proprietary Interface temperature compensated strain gages
- Accuracy to .04%
- High output – to 4 mV/V
- Eccentric Load compensated
- .0008%/°F (.0015%/°C) temp effect on output
- Low deflection
- Shunt calibration
- Barometric compensation
- Tension and compression
- Compact size



### DIMENSIONS

See Drawing	MODEL					
	1210		1220		1232	
	CAPACITY					
	U.S. (lbf)	Metric (kN)	U.S. (lbf)	Metric (kN)	U.S. (lbf)	Metric (kN)
	300, 500, 1K, 2K, 5K, 10K	1.5, 2.5, 5, 10, 25, 50	25K, 50K	100, 250	100K	450
	inch	mm	inch	mm	inch	mm
①	4.13	104.8	6.06	153.9	8.00	203.2
②	1.38	34.9	1.75	44.5	2.50	63.5
③	1.25	31.7	1.63	41.4	2.25	57.2
④	1.34	34.0	2.65	67.3	3.76	95.2
⑤	3.50	88.9	5.13	130.3	6.50	165.1
⑥	22.5°	22.5°	15.0°	15.0°	11.25°	11.25°
⑦	0.28	7.10	0.41	10.4	0.53	13.5
	8 places		12 places		16 places	
⑧	5/8-18 UNF-3B	M16 X 2-4H	1 1/4-12 UNF-3B	M33 X 2-4H	1 3/4-12 UNF-3B	M42 X 2-4H
	1.12 in. deep	28.4 mm deep	1.40 in. deep	35.6 mm deep	2.15 in. deep	54.6 mm deep
⑨	0.20	5.10	0.30	7.60	0.40	10.27
⑩	1.13	28.6	1.75	44.5	2.00	50.8
⑪	0.03	0.80	0.03	0.80	0.03	0.80
⑫	1.25	31.8	2.25	57.2	3.00	76.2
⑬	5/8-18 UNF-3B	M16 X 2-4H	1 1/4-12 UNF-3B	M33 X 2-4H	1 3/4-12 UNF-3B	M42 X 2-4H
	.87 in. deep	22.1 mm deep	1.40 in. deep	35.6 mm deep	1.75 in. deep	44.5 mm deep

## SPECIFICATIONS

PARAMETERS	MODEL			
	1210	1210	1220	1232
	CAPACITY			
U.S. Models (lbf)	300, 500, 1K, 2K	5K, 10K	25K, 50K	100K
Metric Models (kN)	1.5, 2.5, 5, 10	25, 50	100, 250	450
<b>ACCURACY – (MAX ERROR)</b>				
Static Error Band-% FS	± 0.04	± 0.05	± 0.05	± 0.06
Nonlinearity-% FS	± 0.04	± 0.05	± 0.05	± 0.05
Hysteresis-% FS	± 0.03	± 0.05	± 0.06	± 0.06
Nonrepeatability-% RO	± 0.01	± 0.01	± 0.01	± 0.01
Creep, in 20 min-%	± 0.025	± 0.025	± 0.025	± 0.025
Side Load Sensitivity-%	± 0.25	± 0.25	± 0.25	± 0.25
Eccentric Load Sensitivity-%/in	± 0.25	± 0.25	± 0.25	± 0.25
<b>TEMPERATURE</b>				
Compensated Range-°F	15 to 115	15 to 115	15 to 115	15 to 115
Compensated Range-°C	-10 to 45	-10 to 45	-10 to 45	-10 to 45
Operating Range-°F	-65 to 200	-65 to 200	-65 to 200	-65 to 200
Operating Range-°C	-55 to 90	-55 to 90	-55 to 90	-55 to 90
Effect on Zero-%RO/°F – MAX	± 0.0008	± 0.0008	± 0.0008	± 0.0008
Effect on Zero-%RO/°C – MAX	± 0.0015	± 0.0015	± 0.0015	± 0.0015
Effect on Output-%/°F – MAX	± 0.0008	± 0.0008	± 0.0008	± 0.0008
Effect on Output-%/°C – MAX	± 0.0015	± 0.0015	± 0.0015	± 0.0015
<b>ELECTRICAL</b>				
Rated Output-mV/V (Nominal)	2.0	4.0	4.0	4.0
Excitation Voltage-VDC – MAX	20	20	20	20
Bridge Resistance-Ohm (Nominal)	350	350	350	350
Zero Balance-% RO	± 1.0	± 1.0	± 1.0	± 1.0
Insulation Resistance-Megohm	5000	5000	5000	5000
<b>MECHANICAL</b>				
Safe Overload-% CAP	± 150	± 150	± 150	± 150
Deflection @ RO-inch	0.001	0.002	0.002	0.003
Deflection @ RO-mm	0.03	0.05	0.05	0.08
Optional Base-P/N (Metric)	B101 (M)	B102 (M)	B103 (M)	B112 (M)
Natural Frequency-kHz	3.9, 5.0, 6.9, 9.8	6.6, 9.4	6.5, 7.0	5.8
Weight-lb	1.5	3.3	9.5	26
Weight-kg	0.7	1.5	4.3	11.8
Connector	PC04E-10-6P	PC04E-10-6P	PC04E-10-6P	PC04E-10-6P
Calibration	T & C	T & C	T & C	T & C

### OPTIONS\*

Base (recommended)  
 Compression overload protection  
 Integral 10 ft cable  
 Bayonet Connector  
 Multiple bridge  
 Standardized output  
 Connector protection  
 See Low Profile Options Catalog Page 89

### ACCESSORIES\*

Mating connector  
 Instrumentation  
 Loading hardware

\* See appendix for more technical information

### STANDARD CONFIGURATIONS

- 10 ft Integral Cable (12xxAJ-nn)  
 <or> PC04E-10-6P Standard Connector (12xxAF-nn)  
 <or> PT02E-10-6P Bayonet Connector (12xxACK-nn)
- Installed Base (-B suffix)



Shown with optional base